

MAICHO

602A

**CONDENSATION RESISTANT
ALMI DICAST BODY
BUTTERFLY VALVES**

603A

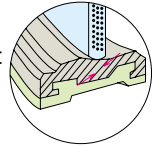
**ALMI DICAST BODY
BUTTERFLY VALVES**

JIS Compliant Light-weight Anti-condensation Valve suitable for Air Conditioning, Plant and so on.

The OKM butterfly valve 602A is a highly reliable multi-purpose valve with an extraordinarily efficient anti-condensation structure. We have designed and developed this valve fully utilizing our accumulated data and technologies such as our proprietary "touch" seal system. The valve sports by far the best controllability and sealing performance. The JIS compliant (JIS B 2032) almi dicast butterfly valve is a general purpose valve that is easy to install, has excellent durability and realizes cost-savings.

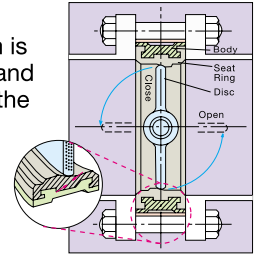
More Economic with New OKM-specific Soft "Touch" Seat

We have developed a new soft "touch" seat that presses at an obtuse angle when the disk makes contact to close on the rubber seat surface, permitting the seat ring to have a long service life economically and without straining contact with the seat.



Low Torque realized with Lightweight and Compact Actuator

OKM's unique proprietary seat system is patented. We realized the lightweight and compact actuator by further lowering the torque as well.

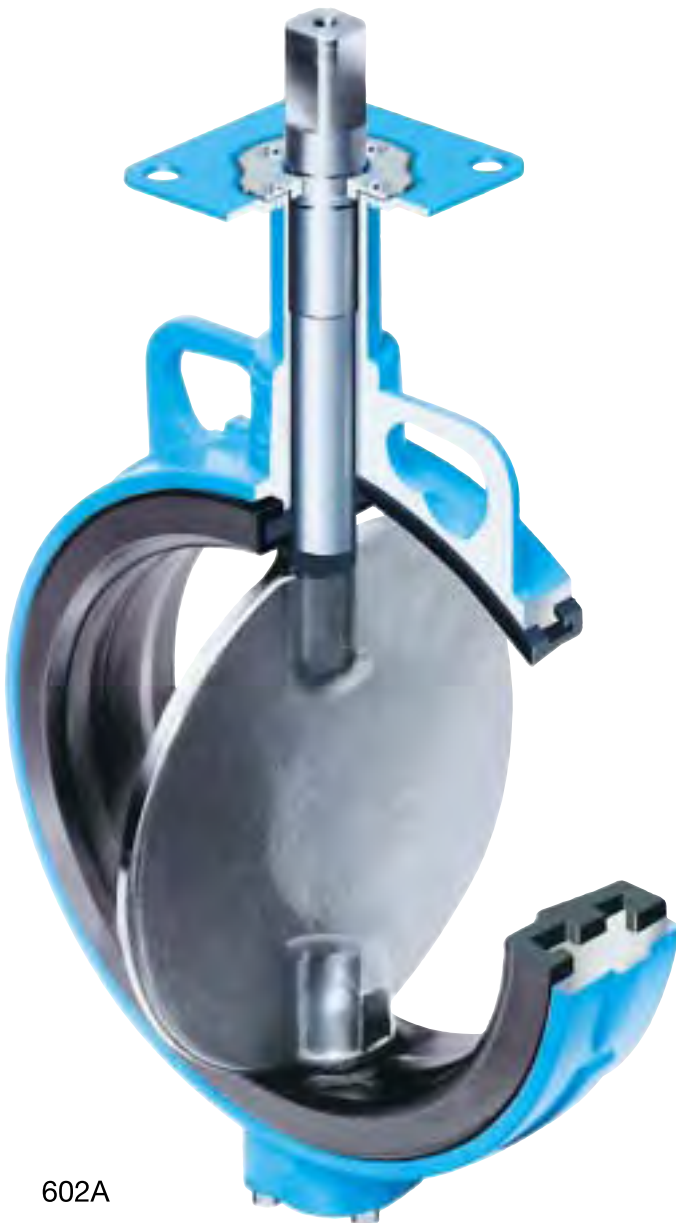
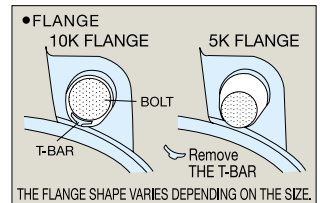


One-piece Structure between Almi Main Body and Stainless Steel Neck JIS Compliant Valve with Anti-condensation Structure (602A)

We have designed a one-piece structure between the lightweight and solid almi dicast main body and the stainless steel neck. This is a JIS compliant almi dicast butterfly valve, which brings about excellent durability to prevent condensation with OKM's proprietary structure (patented).

Dual Purpose Hole for Bolt and JIS 5K and 10K Piping Guide, and Deviation-proof

OKM's proprietary "T Bar" (patented) has been adopted for the bolt guide hole, which makes it secure and easy to set the piping position without any anxiety as to deviation.



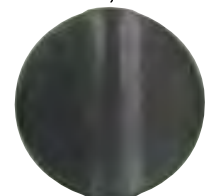
602A

603A

In the field of the drainage processing of water purification plants and factories, efforts have been made toward water treatment, such as the development of new processing systems. In the above situation, OKM has developed resin valve PPS (polyphenylene sulfide) that has excellent corrosion resistance. To meet the demands of the times, OKM will continue developing new valves in response to users' needs.

Development of Resin Valve PPS

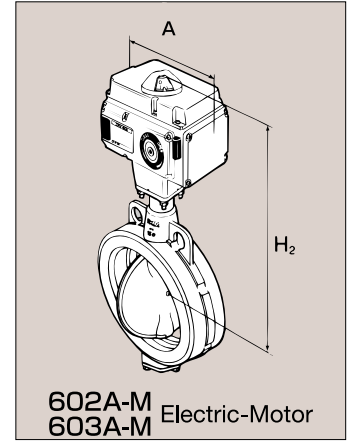
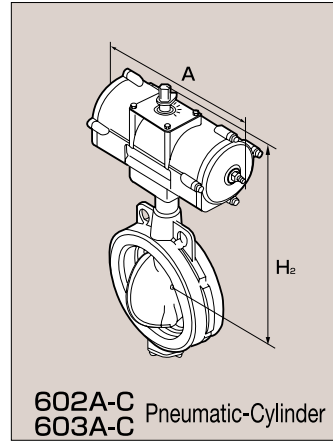
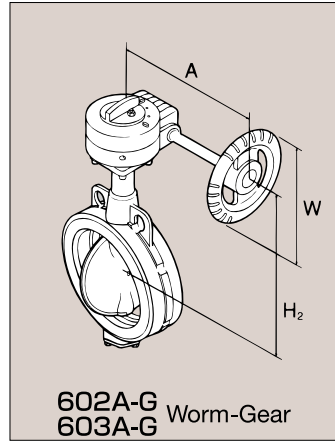
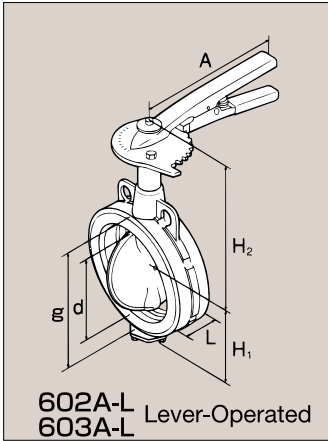
A lineup of discs made of stainless and resin valve PPS that has high corrosion resistance demonstrates preminent durability.



JIS conformed product

PATENTED

Dimensions ※Shapes vary according to saizes.



※Please contact us for 603A

Nominal Size		L	d	g	H1	602A-L Lever-Operated			602A-G Worm-Gear			602A-C Pneumatic-Cylinder			602A-M Electric-Motor			
inch	mm					H2	A	Weight	H2	A	∅W	Weight	H2	A	Weight	H2	A	Weight
1 1/2	40	33	43	80	66	166	160	1.6	154	80	70	1.5	270	236	3.1	299	179	5.5
2	50	43	55	90	69	174	160	1.8	162	80	70	1.7	278	236	3.3	307	179	5.7
2 1/2	65	46	66	114	80	187	160	2.4	172	80	70	2.3	288	236	3.9	317	179	6.3
3	80	46	84	126	89	192	200	2.7	179	133	100	3.1	293	236	4.0	322	179	6.4
4	100	52	100	146	106	204	200	3.4	191	133	100	3.8	305	236	4.7	387	277	13.6
5	125	56	130	179	123	234	260	5.6	215	172	125	5.8	358	276	7.4	407	277	15.0
6	150	56	154	210	138	249	260	6.6	230	172	125	6.8	404	342	11.1	422	277	16.0
8	200	60	200	256	168	—	—	—	259	197	160	10.9	457	420	17.9	471	301	21.9
10	250	68	251	300	223	—	—	—	323	222	200	20.0	507	420	25.0	521	301	29.0
12	300	78	297	346	260	—	—	—	353	222	200	29.0	583	506	41.0	551	301	36.0

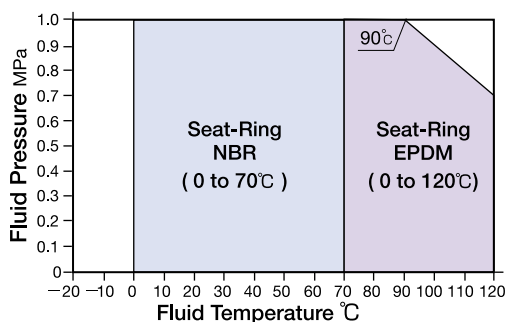
※Please contact us for sizes of 350 mm or more.

(Size : mm , Weight : kg)

Standard Specifications

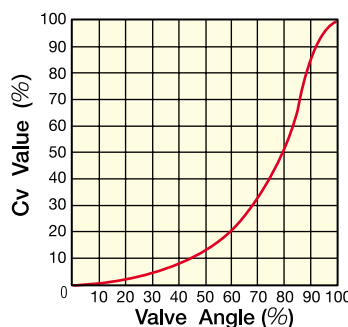
Model	602A MAICHO , 603A	Face To Face	JIS B 2032 46 Series	
Size	40mm to 300mm	Applicable Flange	ISO 5211	
Applicable Flange Std.	JIS: 5K, 10K	Standard Materials	Body : ADC12	
Max.Service Pressure	1.0MPa		Disc : SCS14	603A Disc : PPS (40 to 200mm) FCD450+Plating (250・300mm) SCS14 (40 to 300mm)
Max.Service Temperature	0 to 120°C EPDM , 0 to 70°C NBR		Seat Ring : SUS420J2	
Hydrostatic Seat Test	1.1MPa		Seat Ring : EPDM (NBR)	
Hydrostatic Shell Test	1.5MPa		Coating	Acrylic resin Light Blue
Actuators	Lever-Operated , Worm-Gear , Pneumatic-Cylinder , Electric-Motor			

Temperature and Pressure Ratings



*This table conforms to the JIS standard (JIS B 2032).
Contact us if you operate your valve outside the above pressure and temperature ranges.

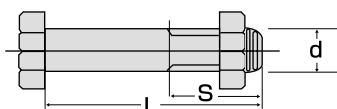
Flow Characteristics



Cv Values with Valve Fully Open

Size (mm)	Cv Value
40	102
50	165
65	250
80	380
100	650
125	1100
150	1790
200	3300
250	4400
300	6200

Piping Bolt Sizes



Bolt length applies to flange thicknesses that conform to JIS standard.
The hexagonal bolt should use an BUN splitnut.

Nominal Size		JIS 5K		JIS 10K	
inch	mm	Qty	Hexagonal Bolt d×L×S	Qty	Hexagonal Bolt d×L×S
1 1/2	40	4	M12× 75×30	4	M16× 85×38
2	50	4	M12× 90×30	4	M16×100×38
2 1/2	65	4	M12× 90×30	4	M16×110×38
3	80	4	M16× 100×38	8	M16×110×38
4	100	8	M16× 110×38	8	M16×110×38
5	125	8	M16× 110×38	8	M20×120×46
6	150	8	M16× 120×38	8	M20×130×52
8	200	8	M20× 130×52	12	M20×130×52
10	250	12	M20× 140×52	12	M22×150×56
12	300	12	M20× 150×52	16	M22×160×56

*As for the minimum internal diameter size for piping, refer to the table of minimum internal diameter size for piping, 615X on Page 10.