

**LIQUID OR MERCURY  
FILLED  
THERMOMETERS &  
THERMAL CONTROLLER**

**Drip-proof Indoor Type**

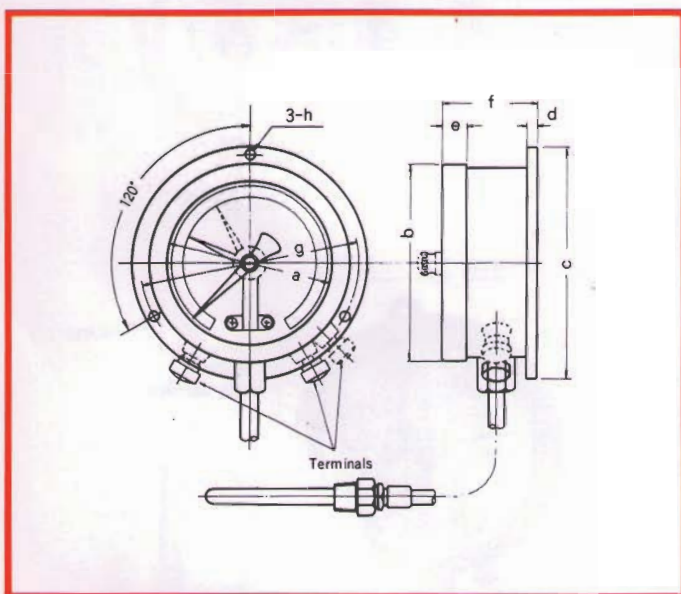
**(Wall mounting type)**

# MODEL M3, M4, M6

Without contact, With One or Two contacts

## Specifications

- Material of case & cover: Aluminum alloy casting (AC or ADC)  
 Surface finish: Melamine resin baking finish, gray (Munsell color chart No. N7/0)  
 Dial cover: Ordinary glass or Methacrylate resin  
 Available temperature range: LB (-50 ~ +400°C)  
 HG (-50 ~ +550°C)  
 Remote measuring length: Single capillary tube: Max. length (LB=5m HG=10m)  
 Double capillary tube: Max. length (LB.HG=30m)  
 Electric contact: One contact type (upper or lower limit one contact)  
 Two contacts type (upper or lower limit two contacts, upper & lower limit two contacts)  
 Contact capacity: AC 100/200V 0.4/0.2A  
 DC 100/200V 0.02/0.01A (Resistance load)  
 Contact adjusting method: Internal or external adjusting method  
 Cord wire system: Terminals for communication devices



Unit: (mm)

Model	Capillary tube	Symbol		a	b	c	d	e	f	g	h
		Contact									
M3	Single capillary tube	Without		65	82	102	4.5	12	48	92	5
		Installed						24 (12)	60 (48)		
M4	Single capillary tube	Without		92	113	134	6	13	54	124	5.5
		Installed						24 (13)	64 (54)		
	Double capillary tube	Without						13	58		
		Installed						24 (13)	69 (58)		
M6	Single & Double capillary tube	Without		140	168	200	6	17	61	182	8
		Installed						28 (17)	72 (61)		

Values in brackets ( ) indicate dimensions for one contact internal adjustment type.

## NOTES

- Maximum temp. indicating pointer can be equipped upon request.
- Please specify required electric contacts and contact adjustment method.
- Vapour pressure thermometers are also available.